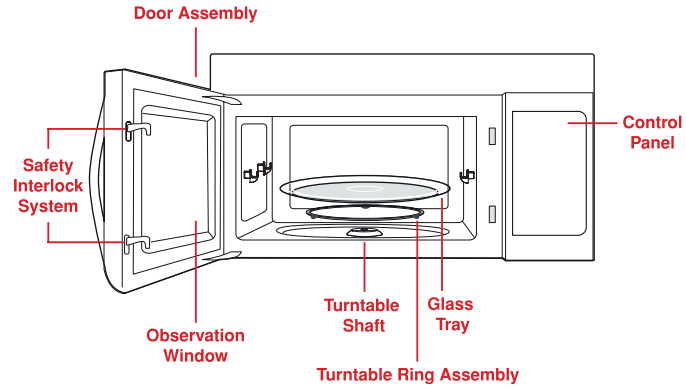
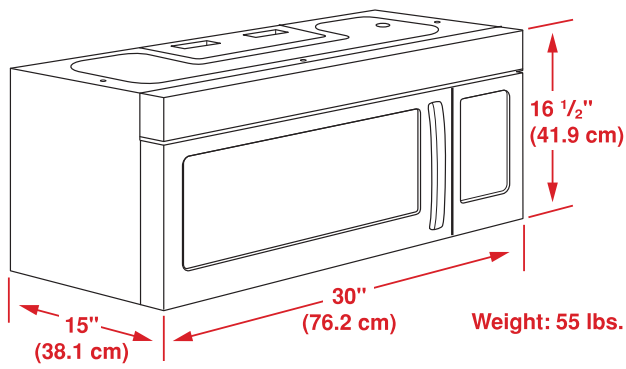


30" Over the Range Microwave

BOTR30100SS



NOTE TO THE INSTALLER: All height, width, and depth dimensions are shown in inches (as well as metric). Beko U.S., Inc. reserves the absolute and unrestricted right to change product materials and specifications, at any time, without notice. Please visit our website at www.BlombergAppliances.com or call 888.352.2356 to verify the latest specifications with final dimensional data and other details prior to installation and making a cutout. Applicable product limited warranty information may be found in accompanying product materials, or you may contact your account manager for further details. Proper installation is the responsibility of the installer. Product failure due to improper installation is not covered under the Limited Warranty.

IN HARMONY WITH NATURE, YOUR LIFE, AND YOU.

888.352.2356 | BlombergAppliances.com

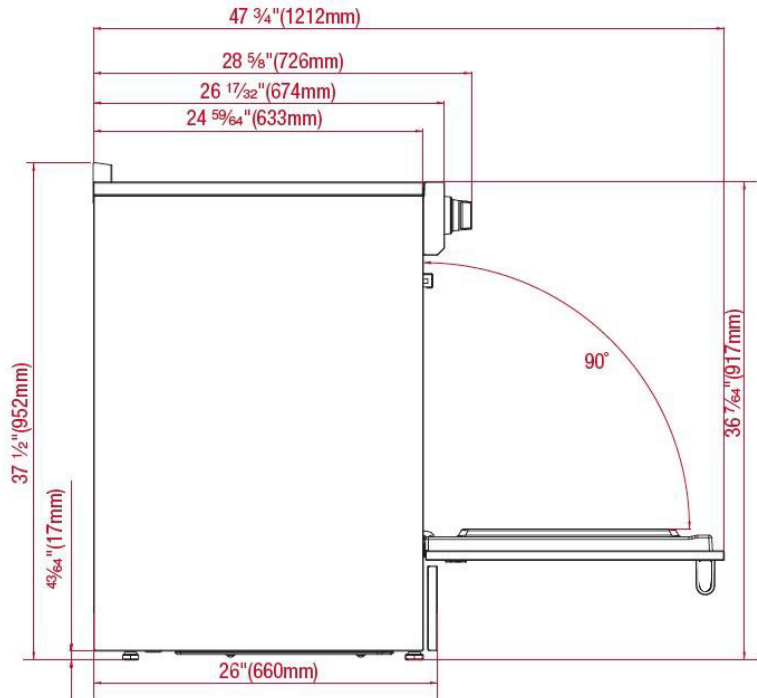
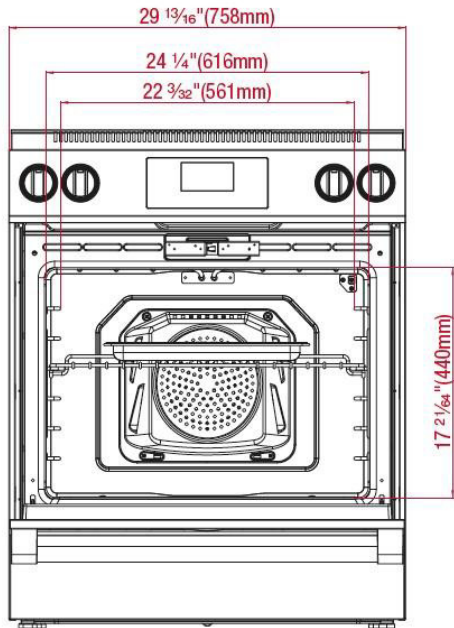
©2018 Beko U.S., Inc. 06/15/18

Blomberg
seit 1883

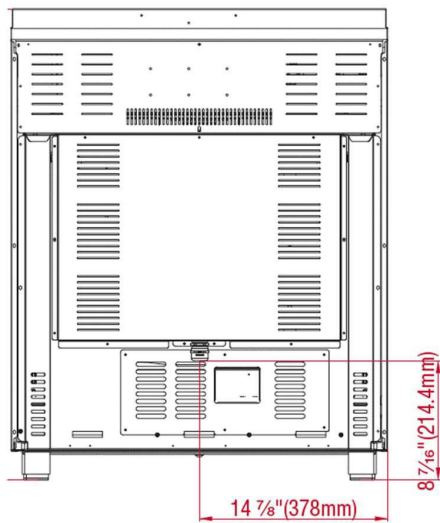
30 INCH SLIDE-IN ELECTRIC RANGE

BERU30420SS / BERU30420CSS

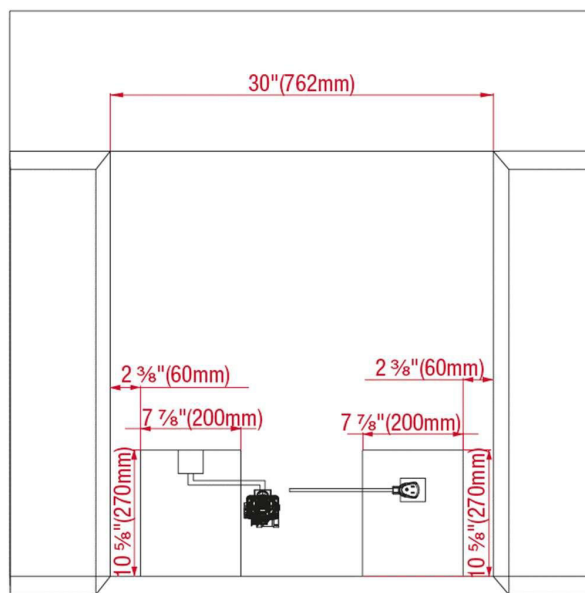
Dimensions and Installation



Electrical



Cabinet



NOTE TO THE INSTALLER: All height, width and depth dimensions are shown in inches (as well as metric). Beko US Inc. reserves the absolute and unrestricted right to change product materials and specifications, at any time, without notice. Please visit our website www.blombergappliances.us or call 888 352 2356 to verify the latest specifications with final dimensional data and other details prior to installation and making a cutout. Applicable product limited warranty information may be found in accompanying product materials or you may contact your account manager for further details. Proper installation is the responsibility of the installer. Product failure due to improper installation is not covered under the Limited Warranty.

30 Inch Fully Integrated Built-In Bottom-Freezer Refrigerator

BRFB1920SS / BRFB1920FBI / **BRFB1900FBI**



Fridge Features

- Soft Close Crisper
- Sabbath Mode
- Large Pantry Drawer
- Height Adjustable Cantilever Shelves
- Filtered Water Dispenser (BRFB1920 only)
- Large, Easy-to-Read Digital Display
- Interior Theatre Lighting with LED Lights
- Field Reversibility of Doors
- 3D Door Adjustment

Freezer Features

- Automatic Ice Maker - 11 lbs per day (BRFB1920 only)
- Large Freezer Drawer
- Metal Freezer Drawer

Dimensions

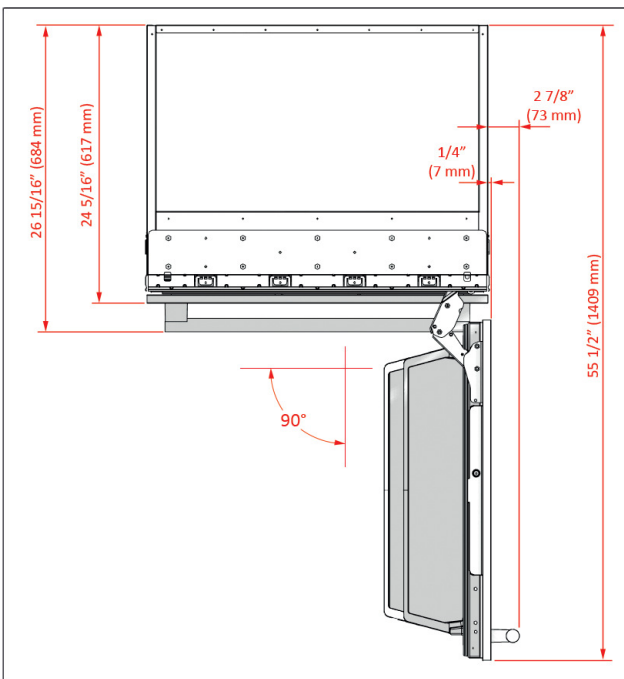
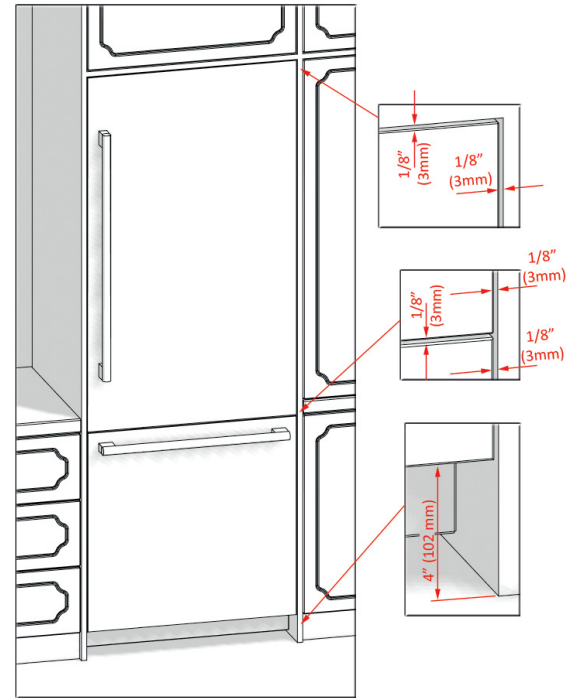
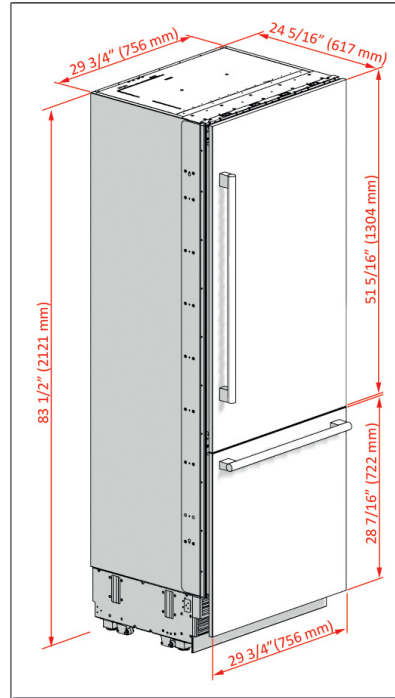
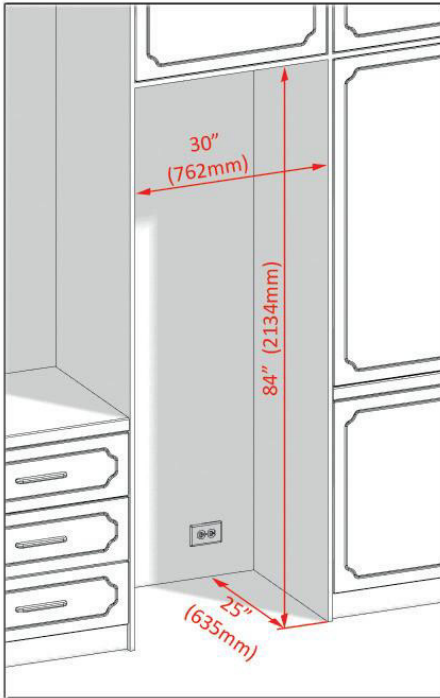
- H x W x D: 83 1/2" x 29 3/4" x 24 5/16"
- Depth is with Doors / Without Handles - Flush Design
- Fits 30 Inch Wide Cabinet / No Exposed Vent Grill

	BRFB1920SS / BRFB1920FBI	BRFB1900FBI
CONTROLS		
Cooling System	Duo Cycle Dual Compressor Frost Free Cooling	Duo Cycle Dual Compressor Frost Free Cooling
Control System	Electronic Control	Electronic Control
CAPACITIES		
Total Net Volume, Cu.ft	16.4	16.4
Fresh Food Net Volume, Cu.ft	11.6	11.6
Freezer Net Volume, Cu.ft	4.8	4.8
FRIDGE FEATURES		
Blue Light Technology	Yes	Yes
Ionfresh	Yes	Yes
Carbon Filter	Yes	Yes
Filtered Water Dispenser	Yes	No
Electronic Control Display Type	TFT LCD	TFT LCD
Auto Defrost	Yes	Yes
Inner Illumination	LED - Side Walls, Ceiling	LED - Side Walls, Ceiling
Shelves	3	3
Crispers	1	1
Door Racks	3	3
Compressor	Variable Speed Compressor	Variable Speed Compressor
Fan Ventilation	Yes	Yes
FREEZER FEATURES		
Auto Defrost	Yes	Yes
Number Of Freezer Drawers	1	1
Automatic Ice Maker	Yes	No
Ice Cube Tray	Yes	No
TECHNICAL INFORMATION		
Supply Voltage, V/Hz	120/60	120/60
Rated Current, A	2	2
Noise Level, dBA	44	44
DIMENSIONS		
HxWxD, in	83 1/2 x 29 3/4 x 24 5/16	83 1/2 x 29 3/4 x 24 5/16
Package HxWxD, in	90 1/2 x 33 3/8 x 29 1/2	90 1/2 x 33 3/8 x 29 1/2
Product Weight, lbs	507 lbs	507 lbs
Packed Weight, lbs	520 lbs	520 lbs
HxWxD, cm	212.1 x 75.6 x 60.9	212.1 x 75.6 x 60.9
Package HxWxD, cm	230 x 84.8 x 75	230 x 84.8 x 75
Product Weight, kg	230 kilograms	230 kilograms
Packed Weight, kg	236 kilograms	236 kilograms
PERFORMANCE		
Energy Star Qualified	Yes	Yes
Climatic Class	T	T
Annual Energy Consumption, kwh/year	556	472
Cooling Gas	R600a	R600a
COLOR OPTIONS		
SS: Stainless Steel	Yes	No
FBI: Panel Ready	Yes	Yes

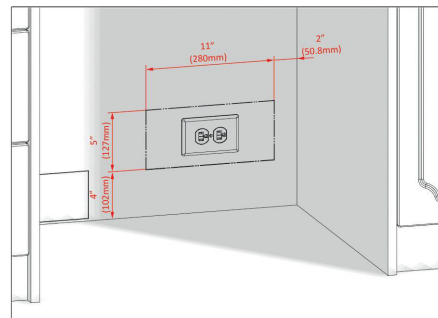
30 Inch Fully Integrated Built-In Bottom-Freezer Refrigerator

BRFB1920SS / BRFB1920FBI / BRFB1900FBI

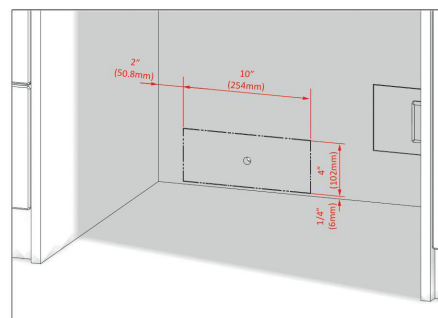
Refrigeration Dimensions and Installation

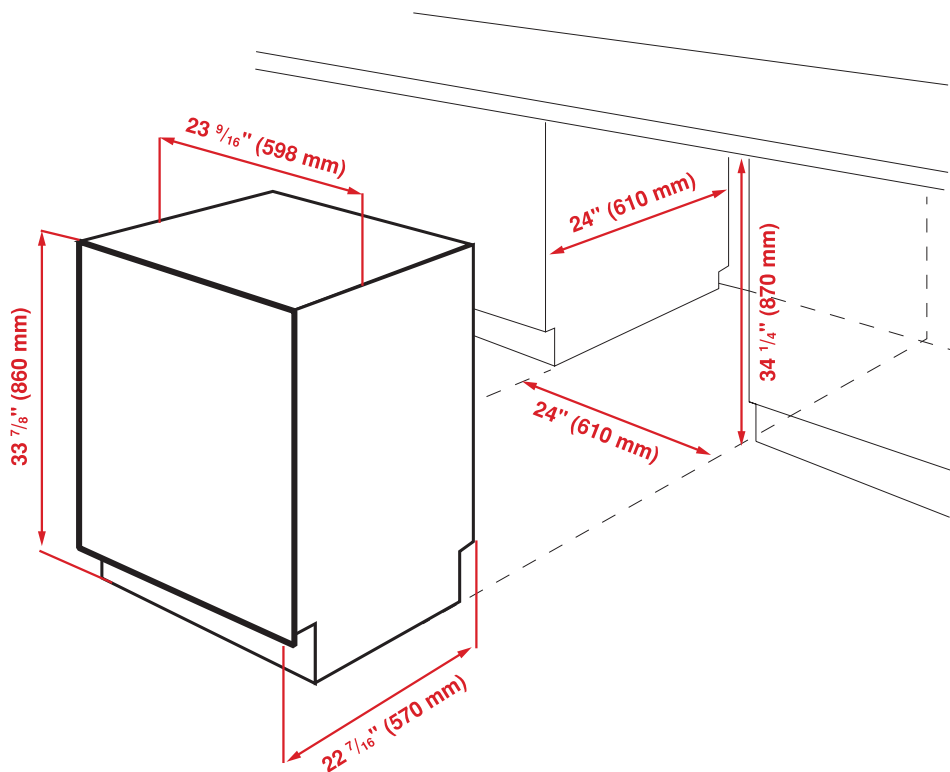


Electrical

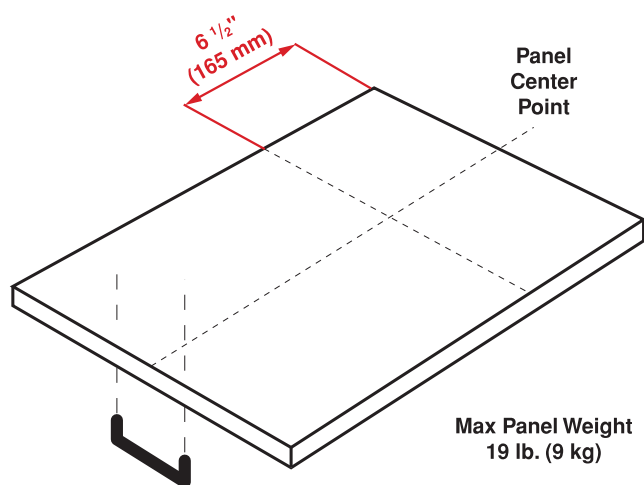


Plumbing





Panel Ready Recommended Door Panel Size and Thickness:



DIMENSIONS (DWT51600SS)	
H x W x D	33 7/8 x 23 9/16 x 22 7/16 in. (86.1 x 59.8 x 57 cm)
Product Weight	87.08 lb. (39.5 kg)
Packed H x W x D	35 x 25 3/8 x 26 in. (88.9 x 64.4 x 66.1 cm)
Packed Weight	93.69 lb. (42.5 kg)

DIMENSIONS (DWT51600FBI)	
H x W x D	33 7/8 x 23 9/16 x 21 2/16 in. (86.1 x 59.8 x 57 cm)
Product Weight	83.55 lb. (37.9 kg)
Packed H x W x D	35 x 25 3/8 x 26 in. (88.9 x 64.4 x 66.1 cm)
Packed Weight	90.16 lb. (40.9 kg)

DIMENSIONS (DWT51600W)	
H x W x D	33 7/8 x 23 9/16 x 22 7/16 in. (86.1 x 59.8 x 57 cm)
Product Weight	87.08 lb. (39.5 kg)
Packed H x W x D	35 x 25 3/8 x 26 in. (88.9 x 64.4 x 66.1 cm)
Packed Weight	93.69 lb. (42.5 kg)

NOTE TO THE INSTALLER: All height, width, and depth dimensions are shown in inches (as well as metric). Beko US Inc. reserves the absolute and unrestricted right to change product materials and specifications, at any time, without notice. Please visit our website at www.BlombergAppliances.com or call 888.352.2356 to verify the latest specifications with final dimensional data and other details prior to installation and making a cutout. Applicable product limited warranty information may be found in accompanying product materials, or you may contact your account manager for further details. Proper installation is the responsibility of the installer. Product failure due to improper installation is not covered under the Limited Warranty.

IN HARMONY WITH NATURE, YOUR LIFE, AND YOU.